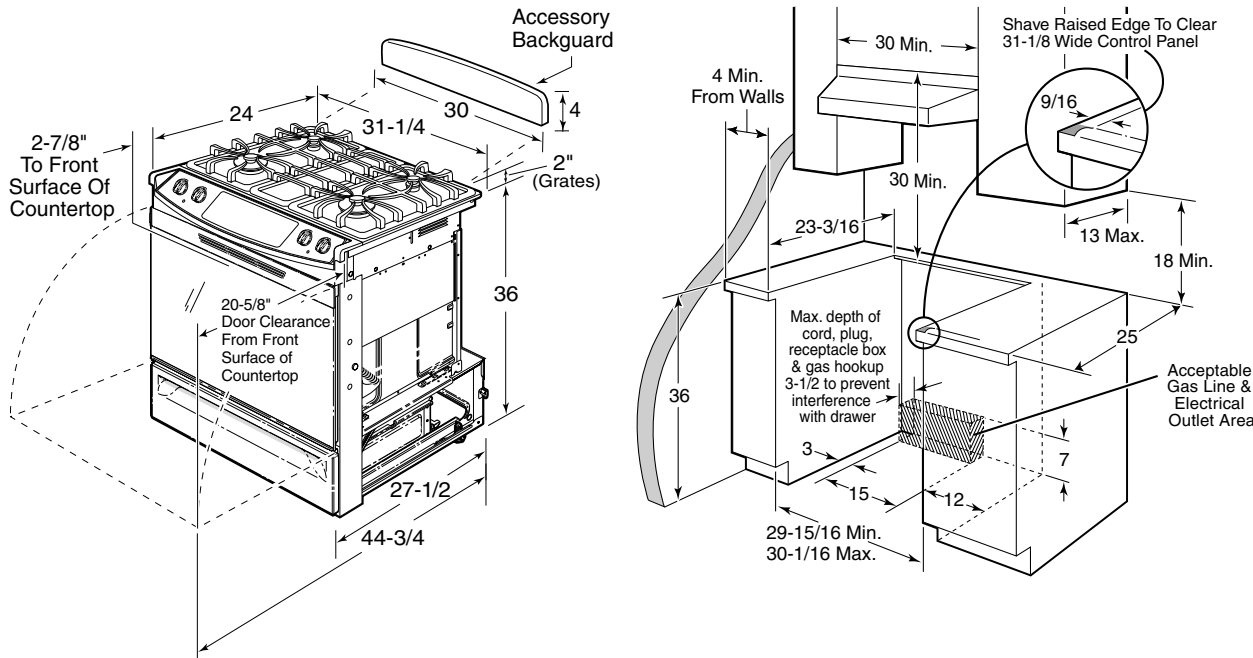




Profile™

## JGSP48SH – GE Profile™ 30" Slide-In Gas Range

### Dimensions (in inches) and Installation Information



**You must use the rear filler strip kit shipped with the range or the optional accessory backguard (JXS31, JXS32, JXS33, JXS34) when installing these ranges.**

**Note:** Cabinets installed adjacent to slide-in ranges must have an adhesion spec of at least 194°F temperature rating.

**Optional Kits for Slide-In Gas Ranges:**  
(Available at additional cost)

#### Lower/Side Trim Kits

- JXS52BB—Lower Trim Kit (Black)
- JXS53WW—Lower Trim Kit (White)
- JXS55CC—Lower Trim Kit (Bisque)

#### Accessory Backguards

- JXS31—White Accessory Backguard
- JXS32—Brushed-Chrome Accessory Backguard
- JXS34—Black Accessory Backguard
- JXS35—Bisque Accessory Backguard

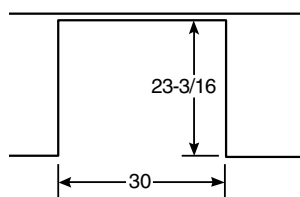
#### Endcap Kit

JXS40—Endcap kit to accommodate replacement where countertop may already be notched.

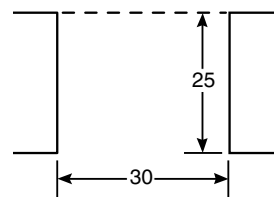
**Installation Information:** Before installing, consult installation instructions packed with product for current dimensional data.

### Counter Cutout Dimensions (in inches)

If you are NOT using the optional Filler or Backguard:



If you are using the optional Filler or Backguard:



Specification Created 4/04

230126



All GE ranges are equipped with an Anti-Tip device. The installation of this device is an important, required step in the installation of the range.

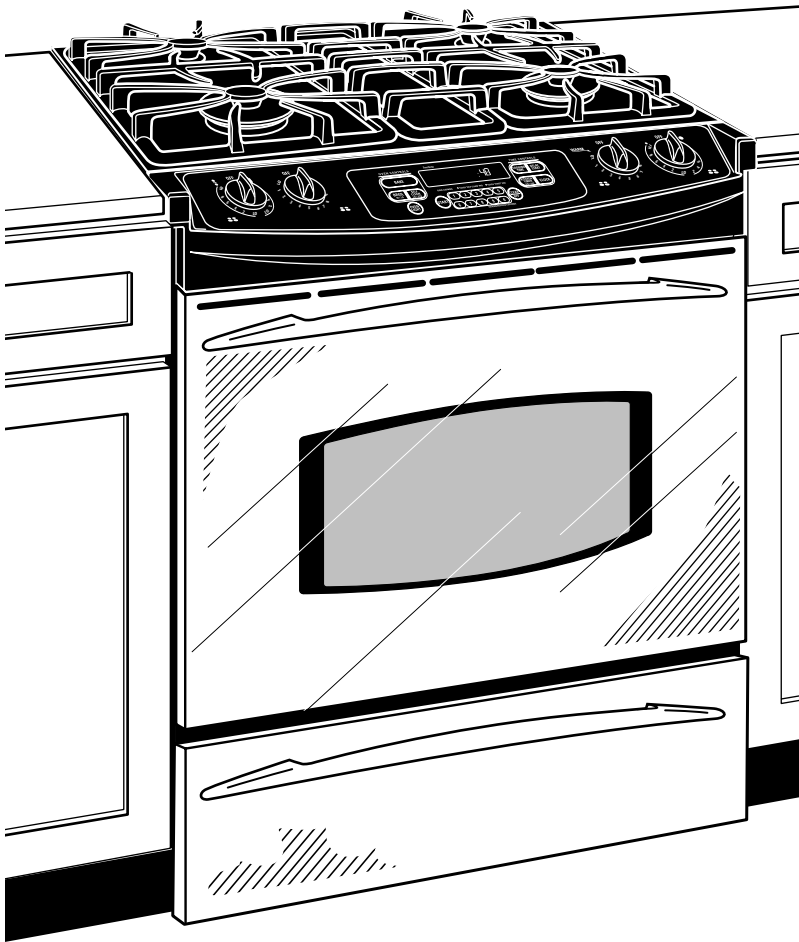


For answers to your Monogram,® GE Profile™ or GE appliance questions, visit our website at [GEAppliances.com](http://GEAppliances.com) or call GE Answer Center® service, 800.626.2000.



*Profile™*

## JGSP48SH – GE Profile™ 30" Slide-In Gas Range



### Features and Benefits

- Self-clean oven – Conveniently cleans the oven cavity without the need for scrubbing.
- Precise simmer burner – Offers a low setting of 600 BTUs, ensuring more temperature control for simmering.
- High output burner – Provides a powerful 11,000 BTU burner output for efficient heat-up and sautéing.
- Super large oven capacity – Provides the impressively large oven interior for cooking more dishes and large meals at one time.
- Electronic oven controls – One-touch electronic pads are easy-to-use and allow for simple oven operation.
- Continuous grates – Interlocking grates provide a flat, sturdy surface allowing easy movement of pans between burners.
- Ceramic glass cooktop – A smooth cooktop surface makes cleaning quick and easy.
- Certified Sabbath mode – Prepared foods can stay warm in accordance with Kosher law.
- Model JGSP48SHSS – Stainless steel